

ITEM NO.	PART NUMBER	QTY
1	09-302-16	1
2	BZHCS122G5	1
3	NUT1/2LSS	1
4	09-302-17	2
5	NUT1/4LSS	8
6	BOL1/4x1 H	8
7	ACTUATOR	1
8	WALL	1
9	Actuator Wall Lags	8

DETAIL A
SCALE 2:5



PRODUCT LINE
VENTILATION -- BAFFLES

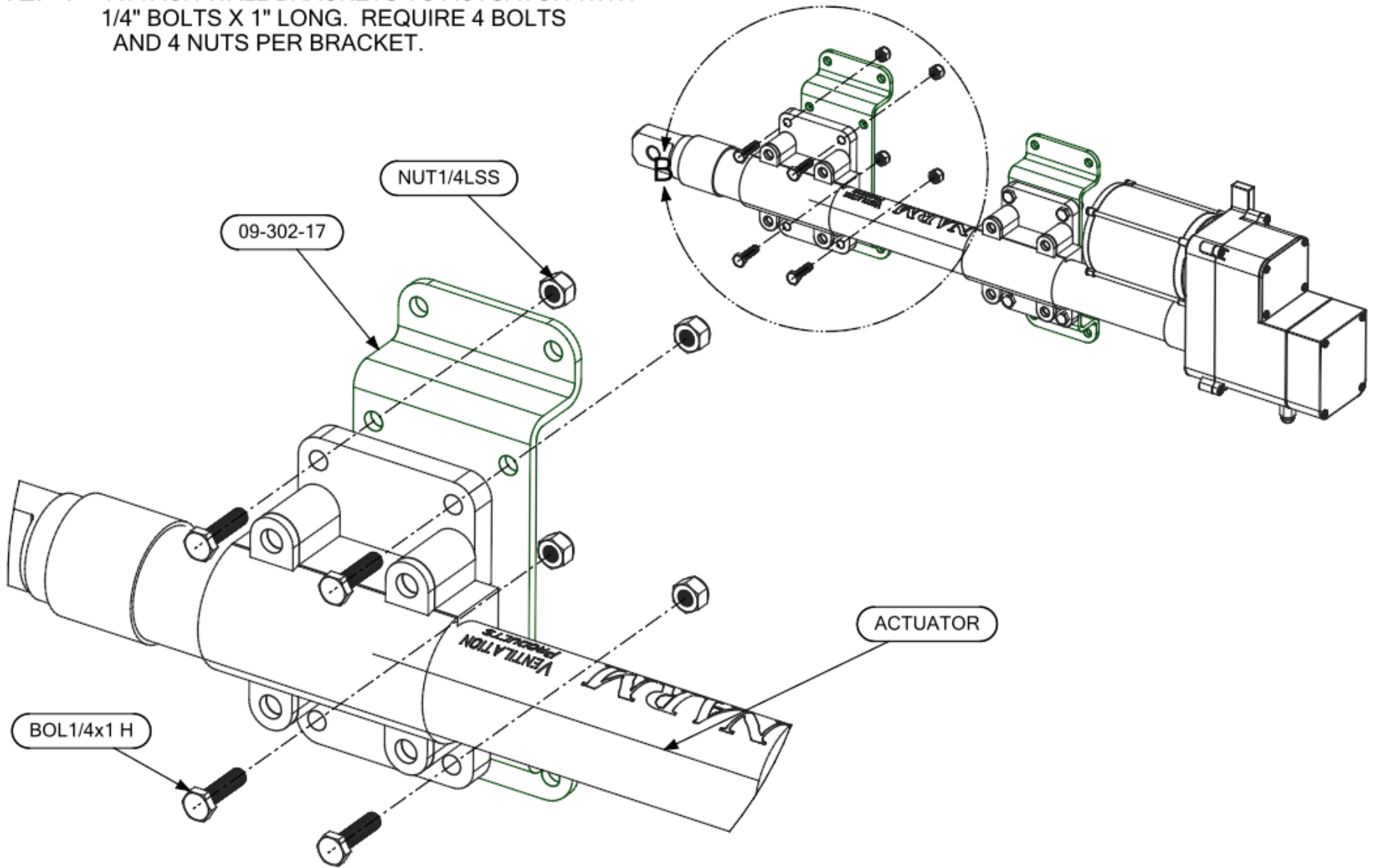
CURRENT REVISION
REV 2 -- DEC 2023

INITIALS
M.M

PART DESCRIPTION:
INSTALLATION INSTRUCTIONS 09-102-16 OVERRIDE KIT

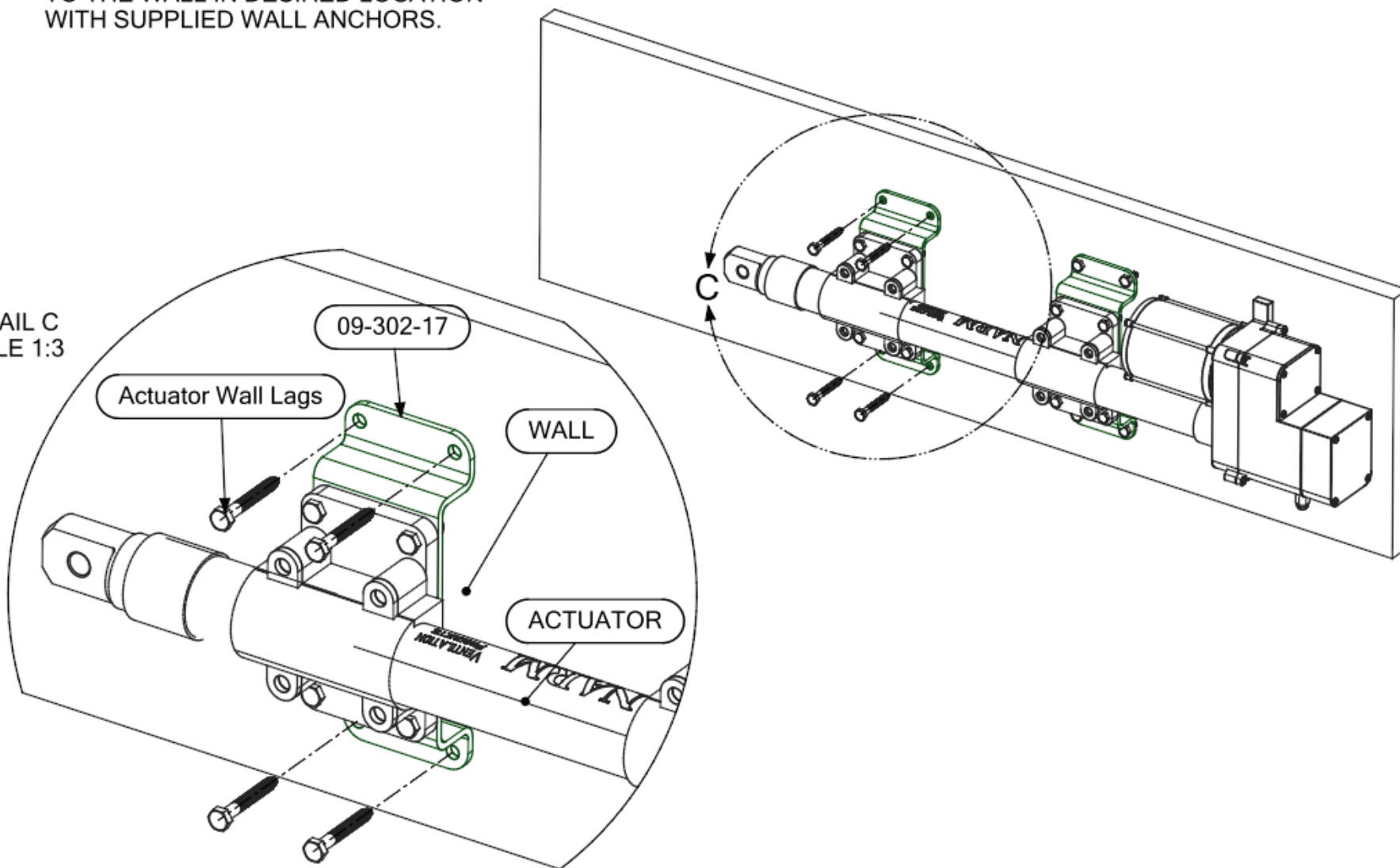
DWG NO.
F-BA001 09-102-16 OVERRIDE KIT INSTALL INSTRUC

STEP 1 -- ATTACH WALL BRACKETS TO ACTUATOR WITH
1/4" BOLTS X 1" LONG. REQUIRE 4 BOLTS
AND 4 NUTS PER BRACKET.

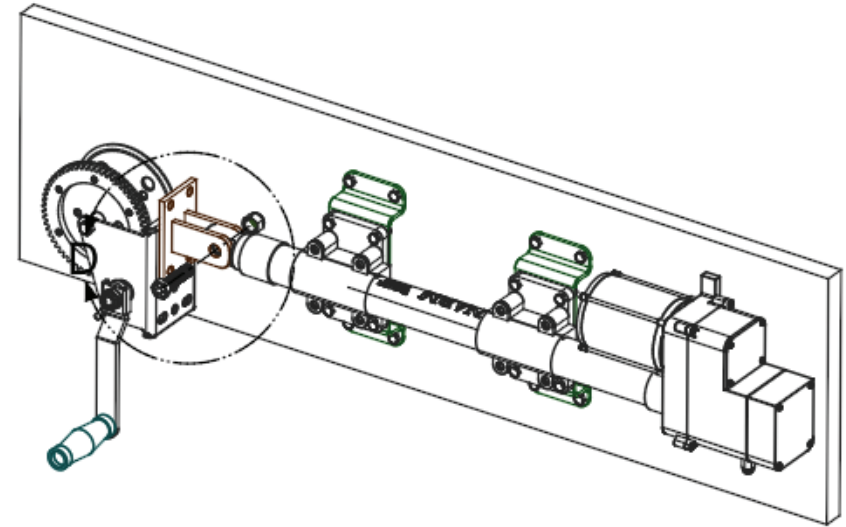
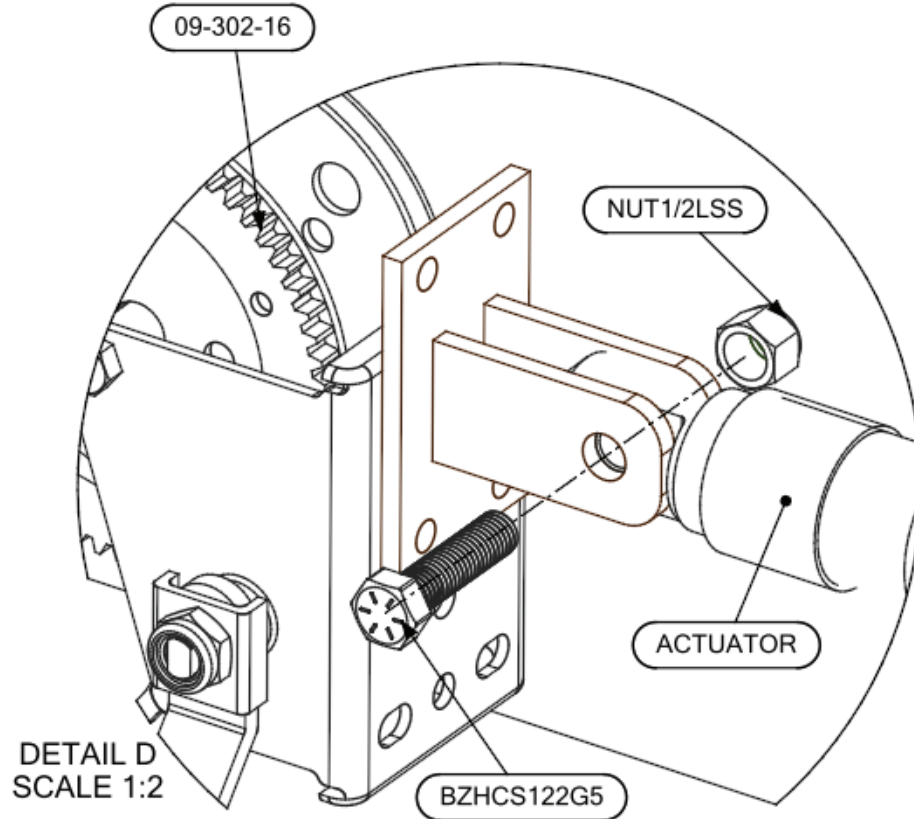


STEP 2 -- ATTACH ACTUATOR WITH SPACERS
TO THE WALL IN DESIRED LOCATION
WITH SUPPLIED WALL ANCHORS.

DETAIL C
SCALE 1:3

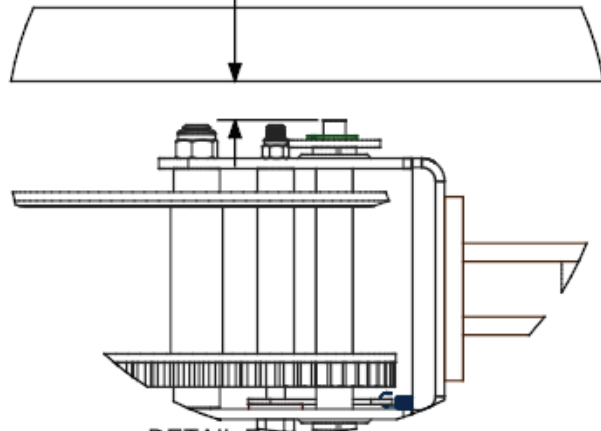


STEP 3 -- BOLT ON 09-302-16 WINCH WITH OVERRIDE MOUNT FOR ACTUATOR WITH 1/2" X 2" FULL THREAD BOLT AND 1/2" STAINLESS LOCK NUT

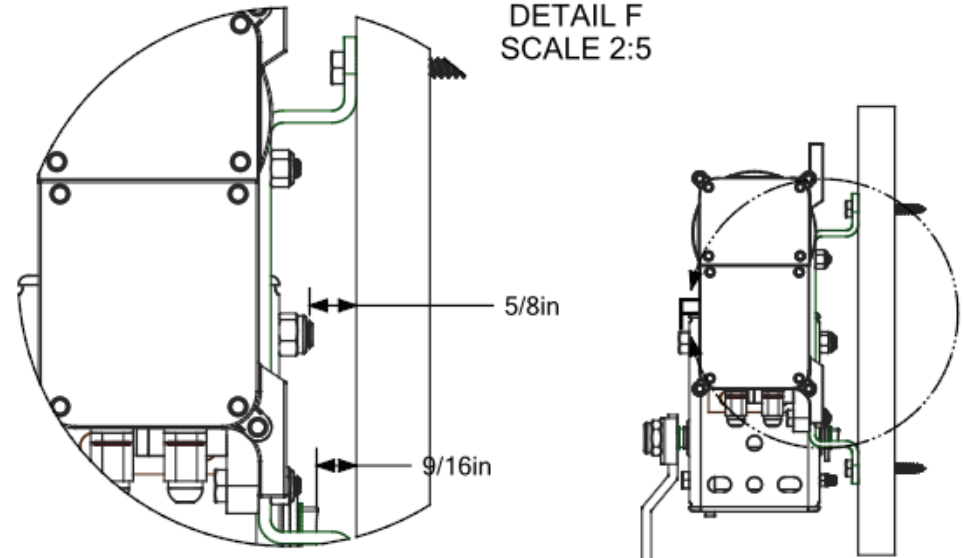


OFF THE WALL

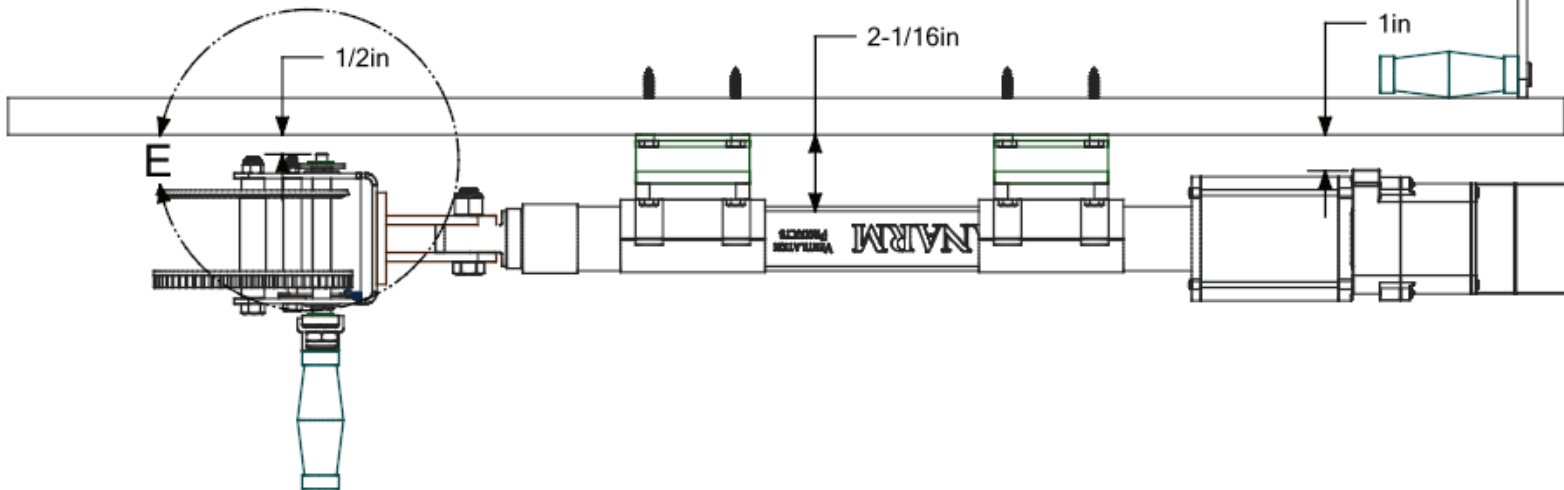
1/2in



DETAIL E
SCALE 2:5



DETAIL F
SCALE 2:5



PART DESC

INSTALLATION INSTRUCTIONS 09-102-16 OVERRIDE KIT

DWG NO.

F-BA001 09-102-16 OVERRIDE KIT INSTALL INSTRUC